



# BDRKF

## BACKWARD CURVED FANS

### Fan Components and Material Properties

The fan is made of high quality galvanized steel which is resistant to corrosion. Some models can also be manufactured in plastic or aluminum to meet application and performance requirements. All fans have an external rotor motor that creates a compact structure and have air transport at max.40°C. Motors are mounted to the fan by means of tight fitting or fasteners. Thanks to the holes on the motor cover, it can be mounted easily on the surface. The suction flange is available as an option.

### Fan Structure

The fan blades are aerodynamically curved and provide regular flow. The fans are composed of backward sloping and infrequently arranged fins.

### Benefits

The rotation of the fan on the motor housing saves efficiency and space. It works at optimum sound levels while providing strong air suction. It can be operated in any position. Speed can be adjusted with speed control devices.

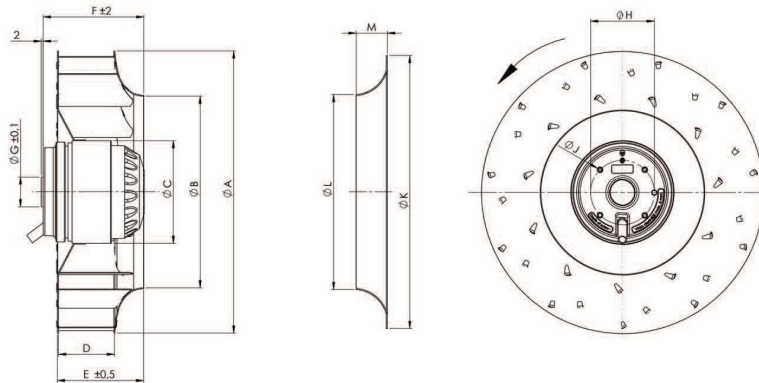
### Speed Control

Optional control devices can be provided. 1 ~ Phase products can be controlled with linear voltage regulator. (see BSC accessory) Speed control can be done with frequency inverter in 3 ~ phase products. (see BSC-F accessory)

### Usage Areas

They are used in air-conditioning devices and duct fans.

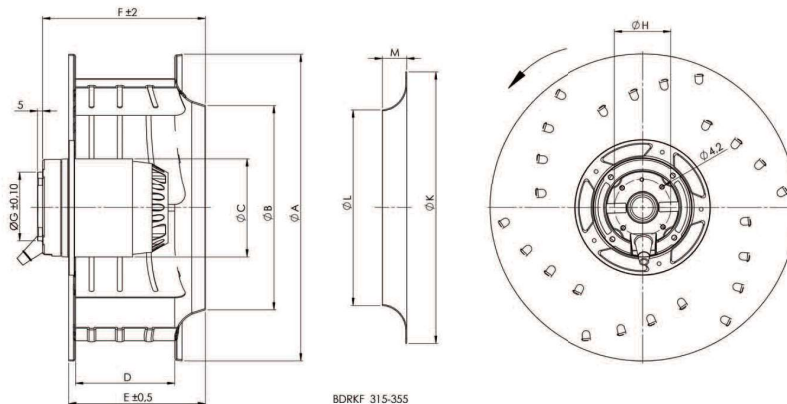
### Technical Drawing and Tables



BDRKF 160-180-220-225-250-280

TYPE	A	B	C	D	E	F	G	H	J	K	L	M
BDRKF 160	162	121,5	92	40	60	75	27	58	M4	168	113	16
BDRKF 180	180	121,5	92	40	60	83	27	58	M4	168	113	16
BDRKF 220	220	159	92	44	63	73	27	58	M4	204	147	20
BDRKF 225	227	153	92	50	76	102	27	58	M4	204	147	20
BDRKF 250	252	172,5	92	50	79	92	27	58	M4	225	165	20
BDRKF 280	281	190	92	50	85	112	27	58	M4	245	173	20

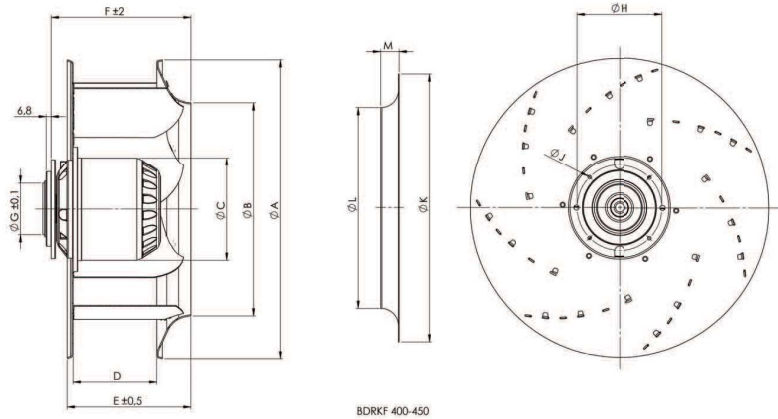
Dimensions are in (mm)



BDRKF 315-355

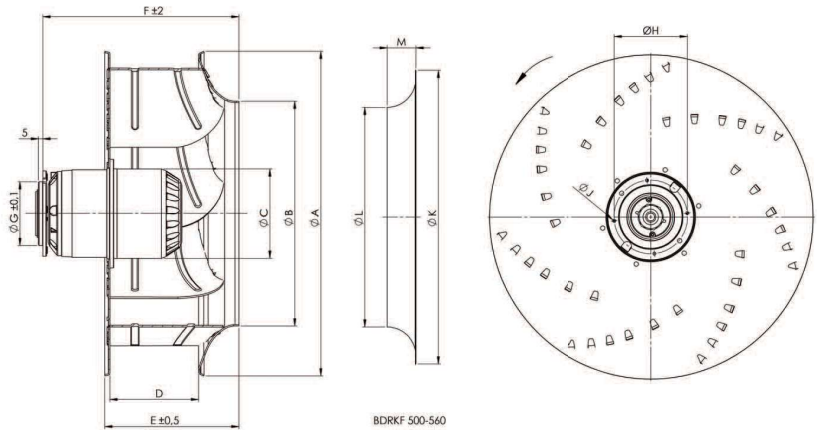
TYPE	A	B	C	D	E	F	G	H	J	K	L	M
BDRKF 315	316	211	102	102	141	160	75	90	M6	280	200	20
BDRKF 355	356	247	102	102	145	164	75	90	M6	310	236	20

Dimensions are in (mm)



TYPE	A	B	C	D	E	F	G	H	J	K	L	M
BDRKF 400	404	286	138	112	166	197	100	115	M6	360	270	25
BDRKF 450	455	319	138	125	185	217	100	115	M6	382	305	25
BDRKF 500T	505	354	138	140	220	241	100	115	M6	460	344	45

Dimensions are in (mm)

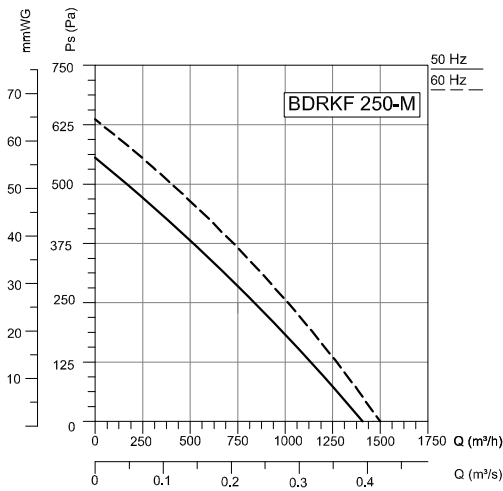
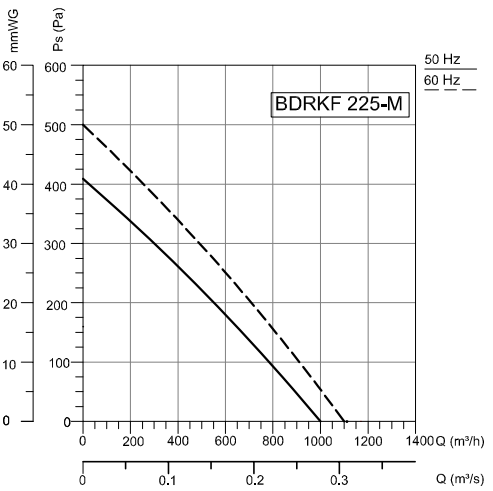
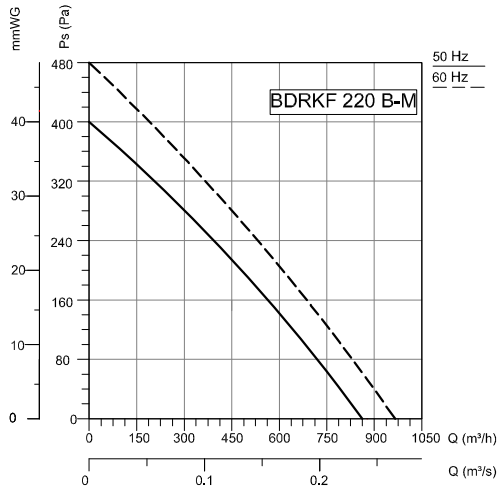
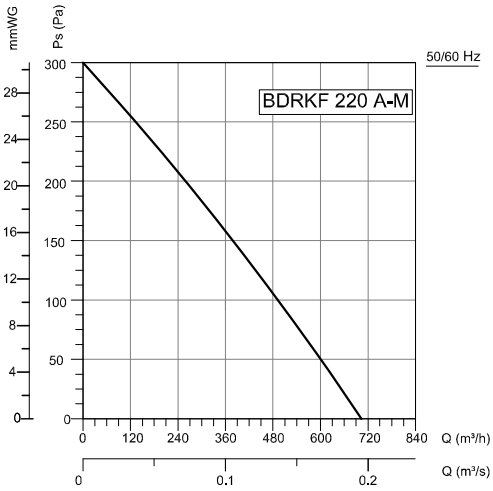
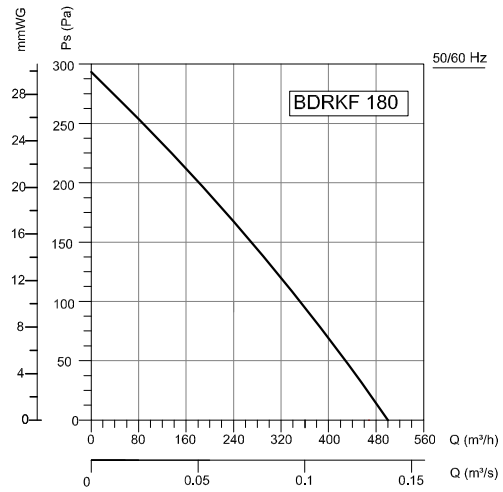
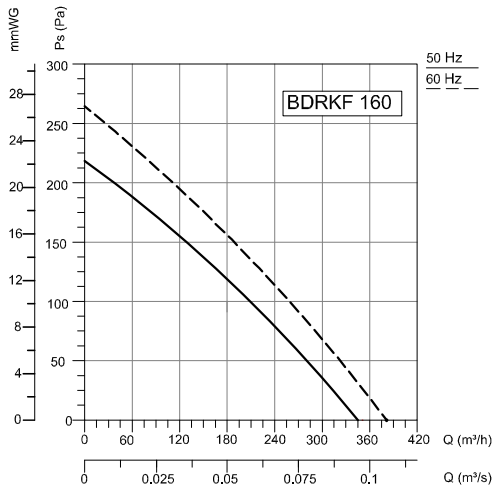


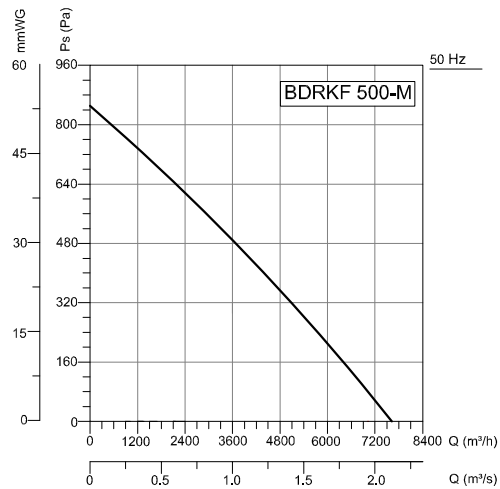
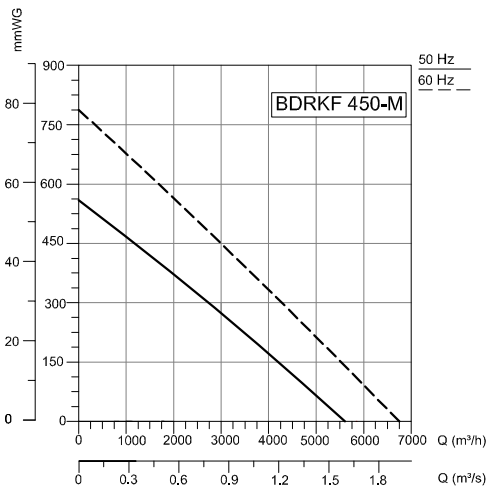
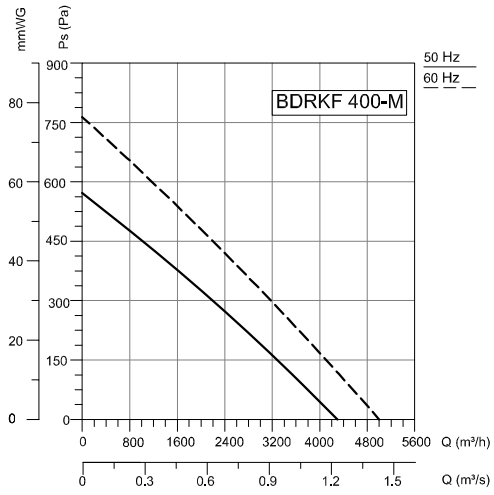
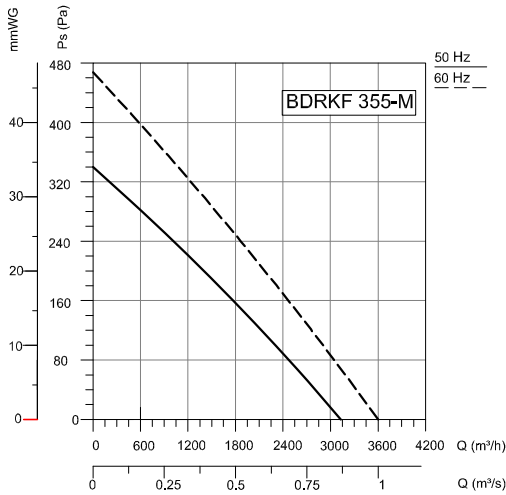
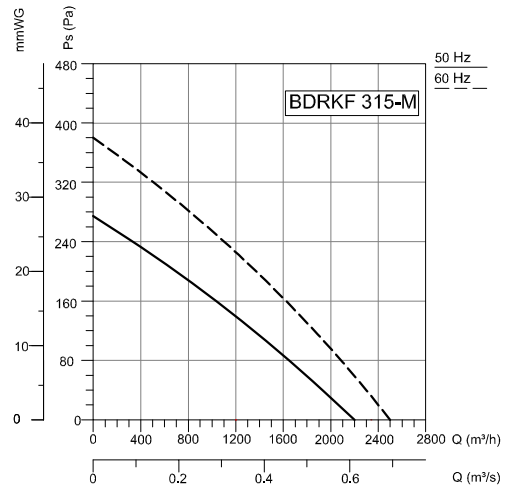
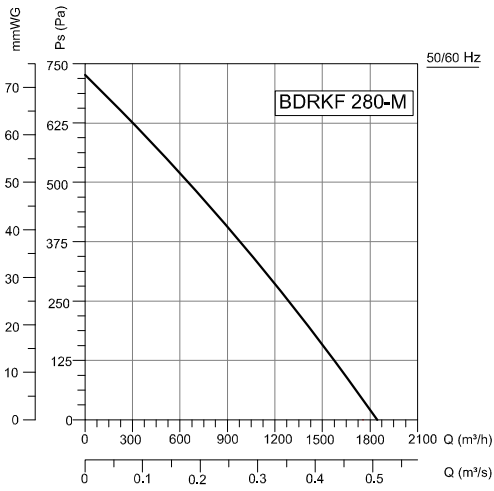
TYPE	A	B	C	D	E	F	G	H	J	K	L	M
BDRKF 500M	505	354	138	140	220	290	100	115	M6	460	344	45
BDRKF 560	565	398	138	160	233	330	100	115	M6	518	382	45

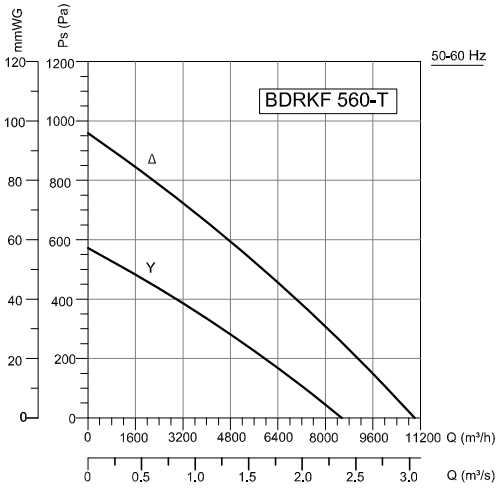
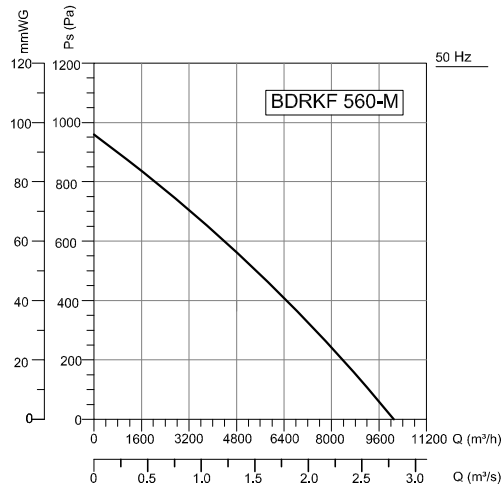
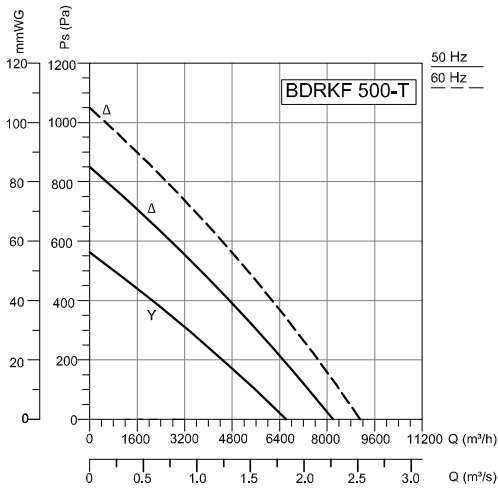
Dimensions are in (mm)

TYPE	VOLTAGE	FREQUENCY	POWER	CURRENT	CAPACITOR	SPEED	AIR FLOW	SOUND PRESSURE	INSULATION CLASS	PROTECTION CLASS	WEIGHT	PIECES IN BOX
	V	Hz	W	(A)	(µF)	r.p.m	m <sup>3</sup> /h	dB(A)	Ins.cl.	IP	kg	AD
BDRKF 160-M	230	50/60	65/75	0,29/0,33	2	2500/2750	346/380	44	B	44	1,4	8
BDRKF 180-M	230	50/60	80/100	0,35/0,44	2,5	2400	500	52	B	44	1,6	8
BDRKF 220-A-M	230	50/60	65/75	0,30/0,35	1,5	2100	700	53	B	44	1,8	8
BDRKF 220-B-M	230	50/60	100/120	0,44/0,53	3	2450/2750	860/965	54	B	44	1,9	8
BDRKF 225-M	230	50/60	100/135	0,46/0,62	4	2650/2950	1000/1100	54	B	44	2,3	8
BDRKF 250-M	230	50/60	155/225	0,72/1	6	2600/2800	1400/1500	54	B	44	2,8	8
BDRKF 280-M	230	50/60	200/275	0,89/1,23	7	2600	1850	55	B	44	3,3	8
BDRKF 315-M	230	50/60	175/185	0,97/0,81	6	1450/1720	2200/2500	53	F	44	5,8	1
BDRKF 355-M	230	50/60	200/250	0,82/1,1	6	1400/1650	3100/3600	55	F	44	6,5	1
BDRKF 400-M	230	50/60	275/400	1,39/1,9	10	1400/1650	4300/5000	60	F	44	10	1
BDRKF 450-M	230	50/60	390/615	1,97/2,92	10	1350/1600	5750/6800	62	F	44	12	1
BDRKF 500-M	230	50	780	3,5	16	1280	7600	64	F	44	17	1
BDRKF 500-T	380Δ/Y	50 60	760/550 920/660	1,7/0,9 2,1/1,2	-	1350/1100 1500/1100	8200/6680 9100/6680	64	F	44	17	1
BDRKF 560-M	230	50	1550	7,3	25	1250	10150	66	F	44	22	1
BDRKF 560-T	380Δ/Y	50	1150/720	2,3/1,3	-	1350/1050	11000/8550	66	F	44	22	1

Sound Level Measured from 3m distance in room condition.







Accessories

