



BPX

ROUND DUCT TYPE FANS / Plastic Housing

Fan Components and Material Properties

The case is made of plastic material. The fan is made of high quality galvanized sheet metal which is pressed against corrosion. It has an external rotor motor with closed structure. Mounting legs are supplied with the product as standard. Max.40°C air transport feature.

Fan Structure

Designed to work between round channels. The fan blades are aerodynamically curved and provide regular flow. The fans are composed of backward sloping and infrequently arranged fins.

Benefits

The rotation of the fan on the motor housing saves efficiency and space. It works at optimum

sound levels while providing strong air suction. It can be operated in any position. If necessary, it can be mounted on the wall thanks to the mounting legs. Speed can be adjusted with speed control devices.

Speed Control

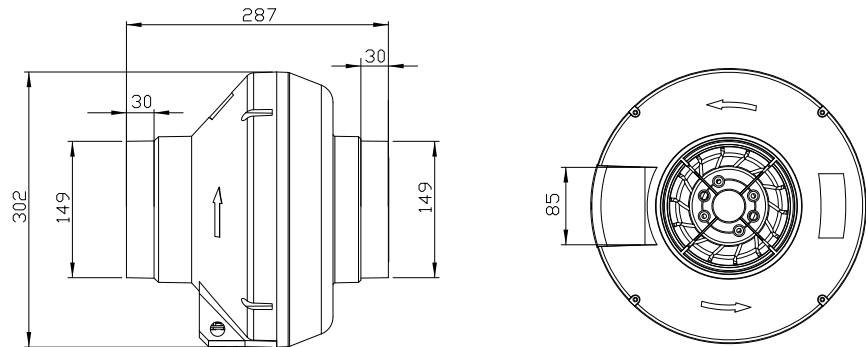
Optional control devices can be provided.

* Speed control with linear voltage regulator (see BSC accessory)

Usage Areas

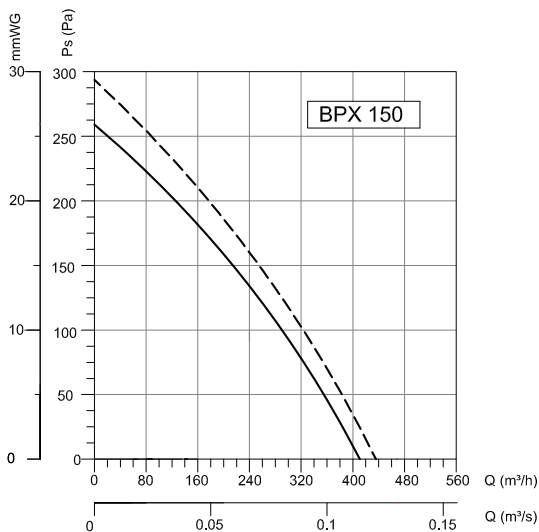
Round duct fans are used in low and medium volume ventilation requirements in duct systems where the application area is limited. It should be used with oil holding filter in oily environments.

Technical Drawing and Tables



TYPE	VOLTAGE	FREQUENCY	POWER	CURRENT	CAPACITOR	SPEED	AIR FLOW	SOUND PRESSURE	INSULATION CLASS	PROTECTION CLASS	WEIGHT
	V	Hz	W	(A)	(μ F)	r.p.m	m ³ /h	dB(A)	Ins.cl.	IP	kg
BPX 150	230	50/60	85/110	0,38/0,48	2,5	2450/2600	410/435	46	B	44	2,7

Sound Level Measured from 3m distance in room condition.



Frequency	Tot	63	125	250	500	1000	2000	4000	8000	Hz
L _{WA} Inlet	76	52	73	65	69	67	62	60	50	dB(A)
L _{WA} Outlet	74	55	71	62	68	64	62	55	50	dB(A)
L _{WA} Surrounding	53	20	35	37	50	45	46	44	32	dB(A)

Accessories

